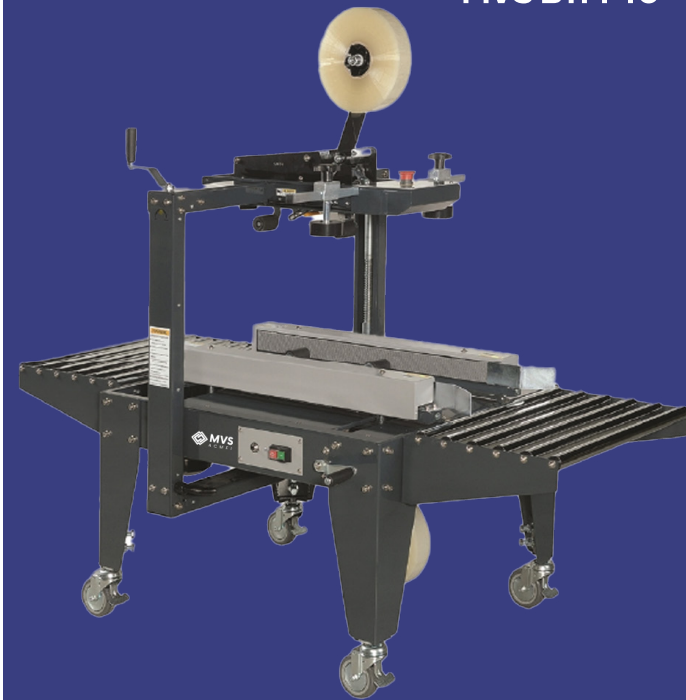
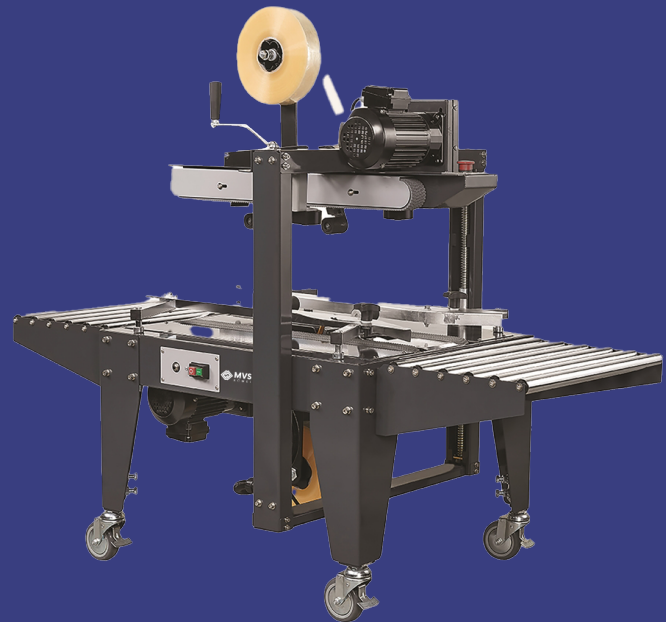


## TAPING MACHINES

**MVS BTM 40**

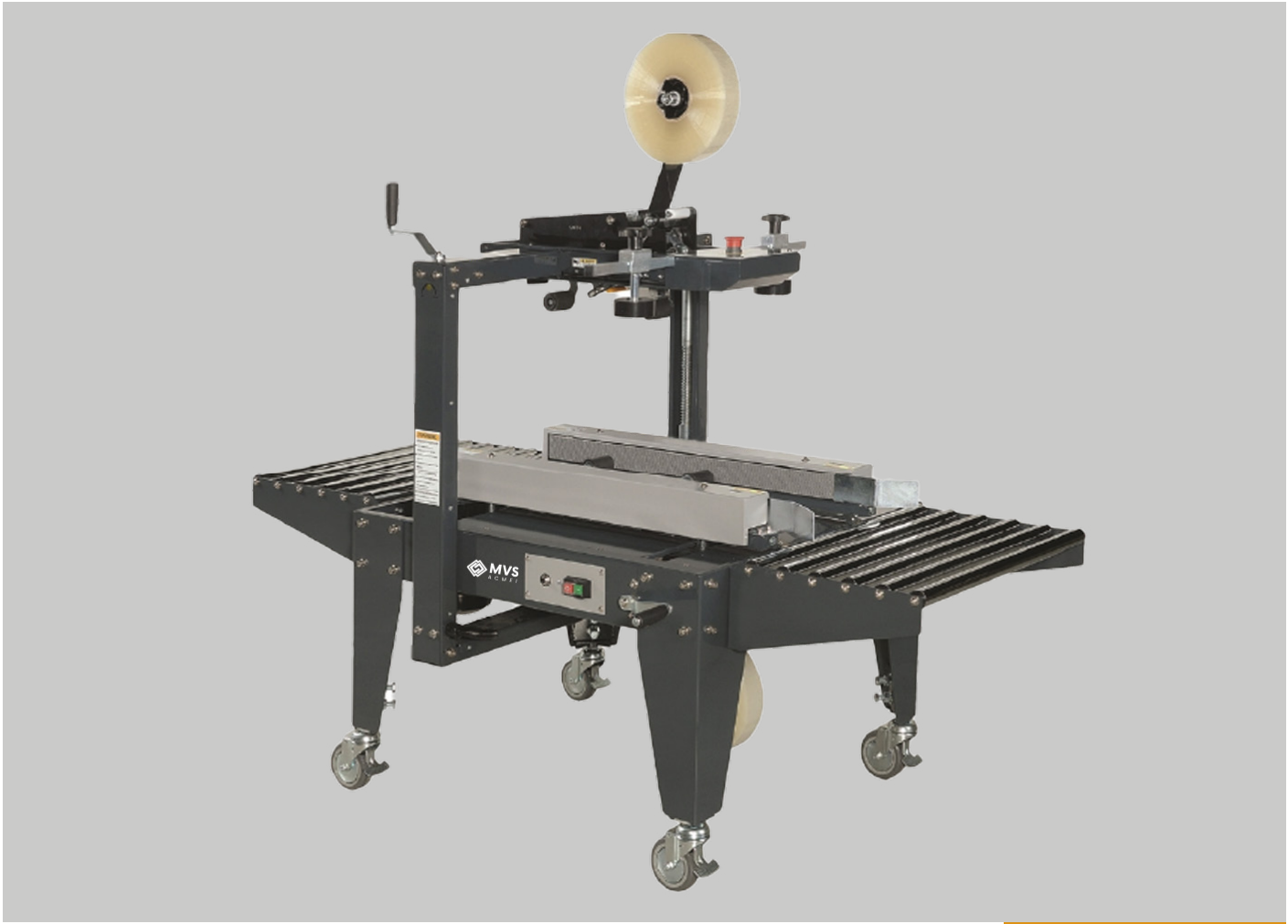


**MVS BTM 50**

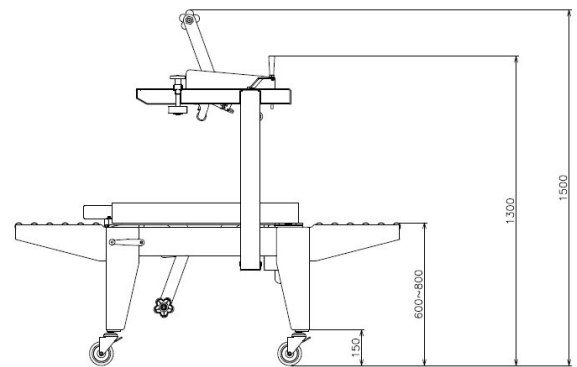


**B 40**

## MVS BTM 40



### CONTROL PANEL

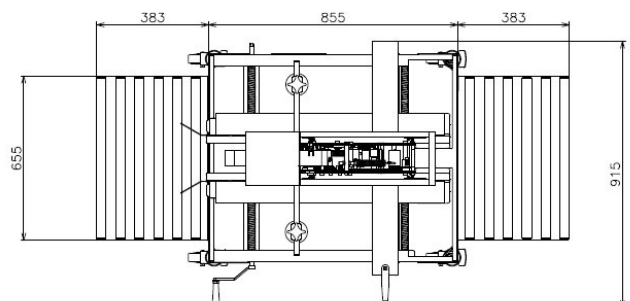


### Standard Specification

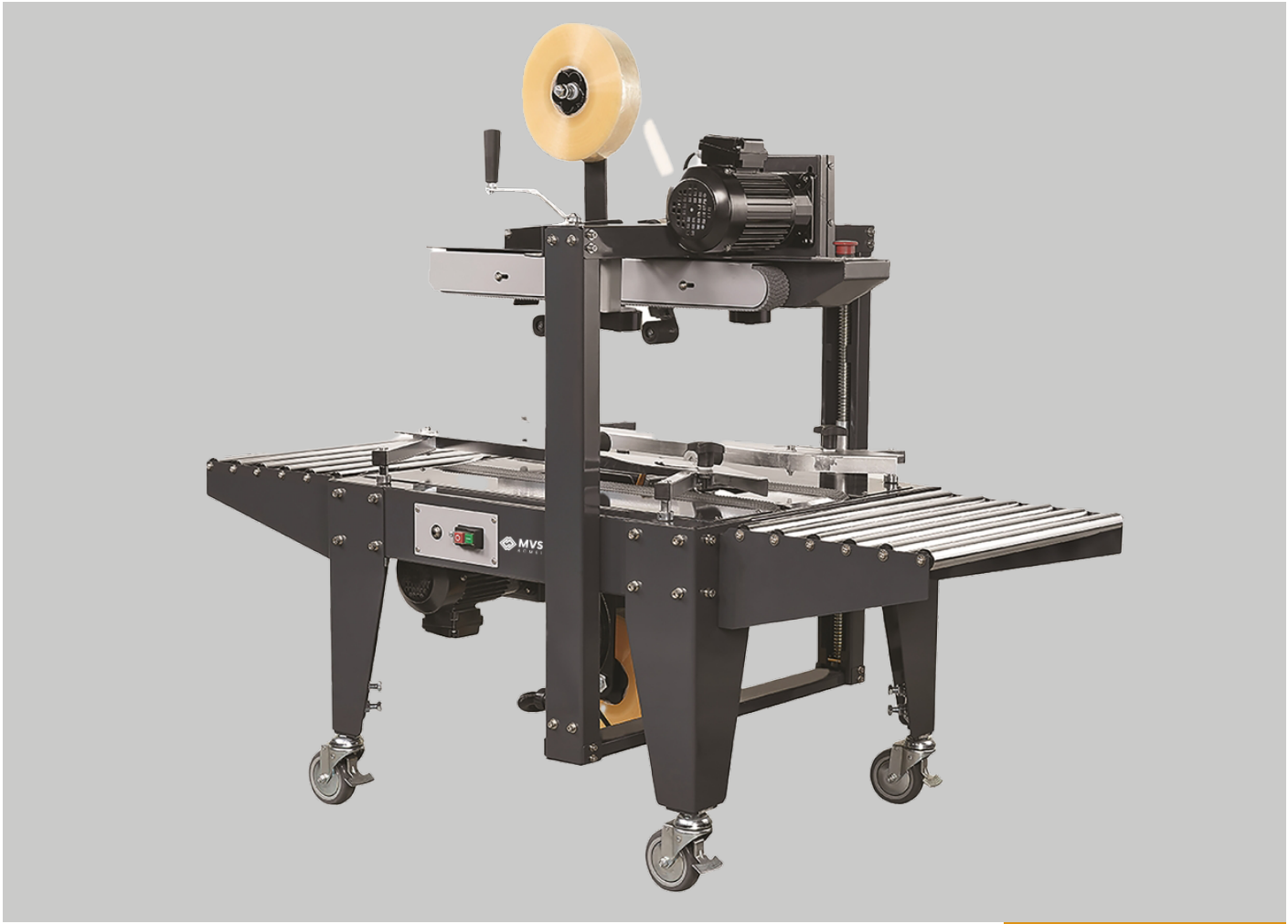
- Side Driving Belt
- Tape Core Inner Dia: 3"
- Speed: 20 Meters/ Per Minute
- Carton Capacity:
  - 150mm - Unlimited (L)
  - 150mm - 500mm (W)
  - 120mm - 500mm (H)
- Tape Width: 2"

### Option

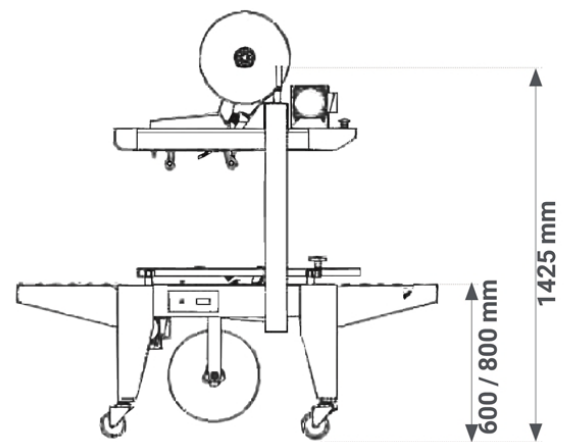
- 3\* Tape Head



## MVS BTM 50



### CONTROL PANEL

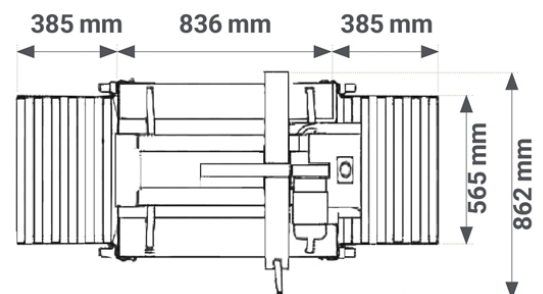


### Standard Specification

- Top 8 Bottom Driving Belt
- Tape Core Inner Dia: 3"
- Speed: 20 Meters/ Per Minute
- Carton Capacity:
  - 150mm ~ Unlimited (L)
  - 180mm - 500mm (W)
  - 120mm - 500mm (H)
- Tape Width: 2"

### Option

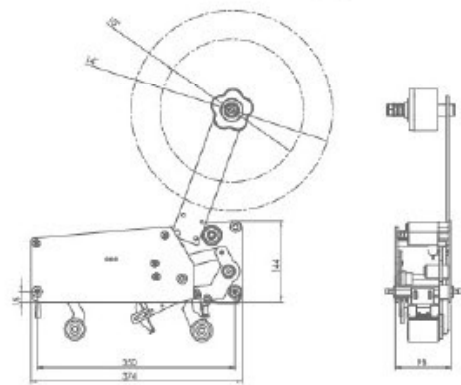
- 3\* Tape Head



## B 40



### CONTROL PANEL



#### | Standard Specification

- Tape Width: 1 1/2", 2"

#### | Option

- 3\* Tape Head  
(when equip with 3\* tape head,  
plus 30mm to Min. Width)



**Factory Address**  
Plot No. G28 & G29, General Park IP,  
Sultanpur Medical Devices Park,  
Telangana 502 319

**Corporate Address**  
Shantha Jubilee, Jubilee Enclave,  
HITEC City, Hyderabad,  
Telangana 500 081

Contact +91 93939 22442  
E-mail info@acmeirm.com  
Website www.mvsips.com

